

STEVAL-IDI001V1

Schematic diagrams

Figure 1: STEVAL-IDI001V1 board schematic part 1

GSPG16112015D1135

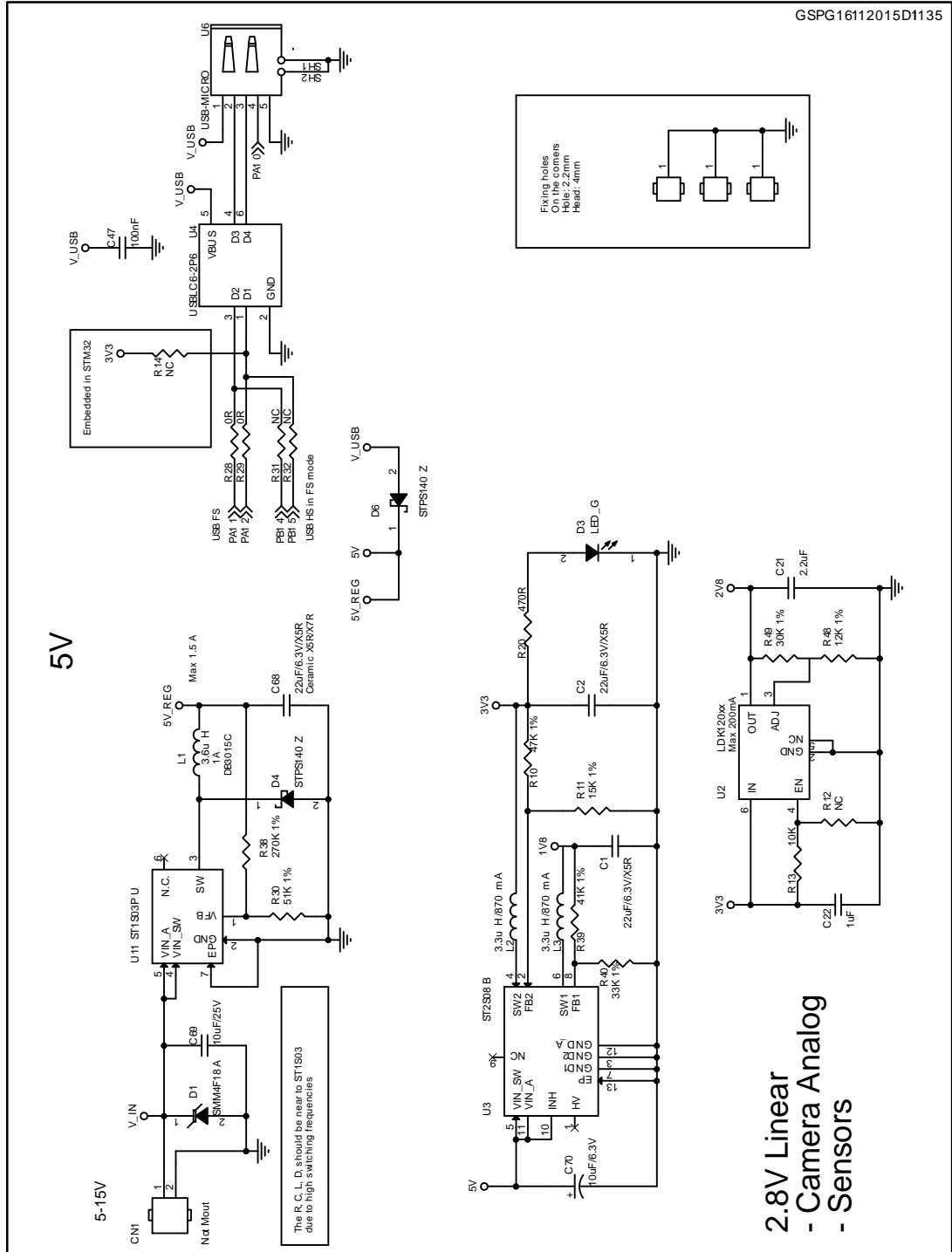


Figure 3: STEVAL-IDI001V1 board schematic part 3

GSPG16112015D1145

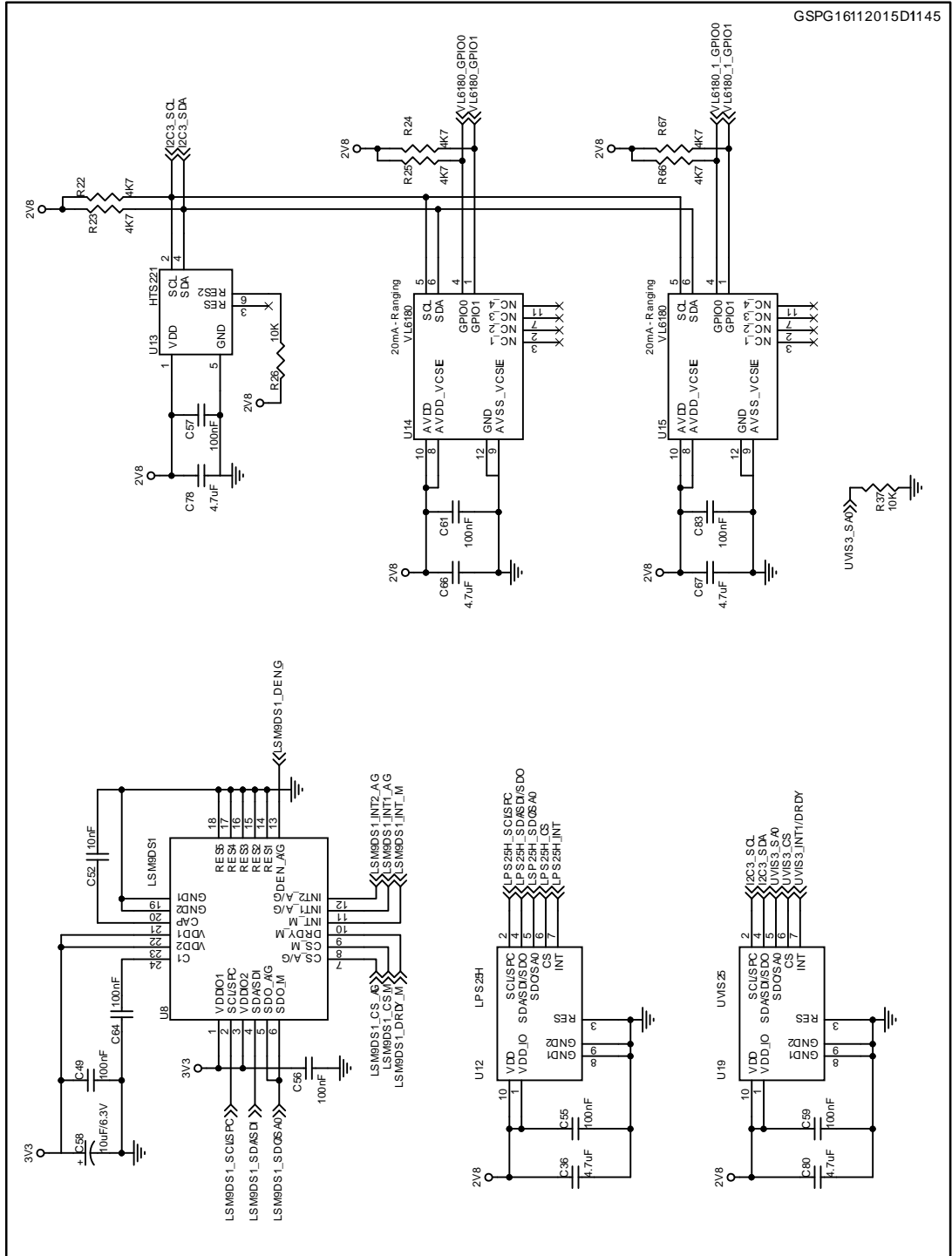


Figure 4: STEVAL-IDI001V1 board schematic part 4

GSPG16112015DI1510

On Board Microphones

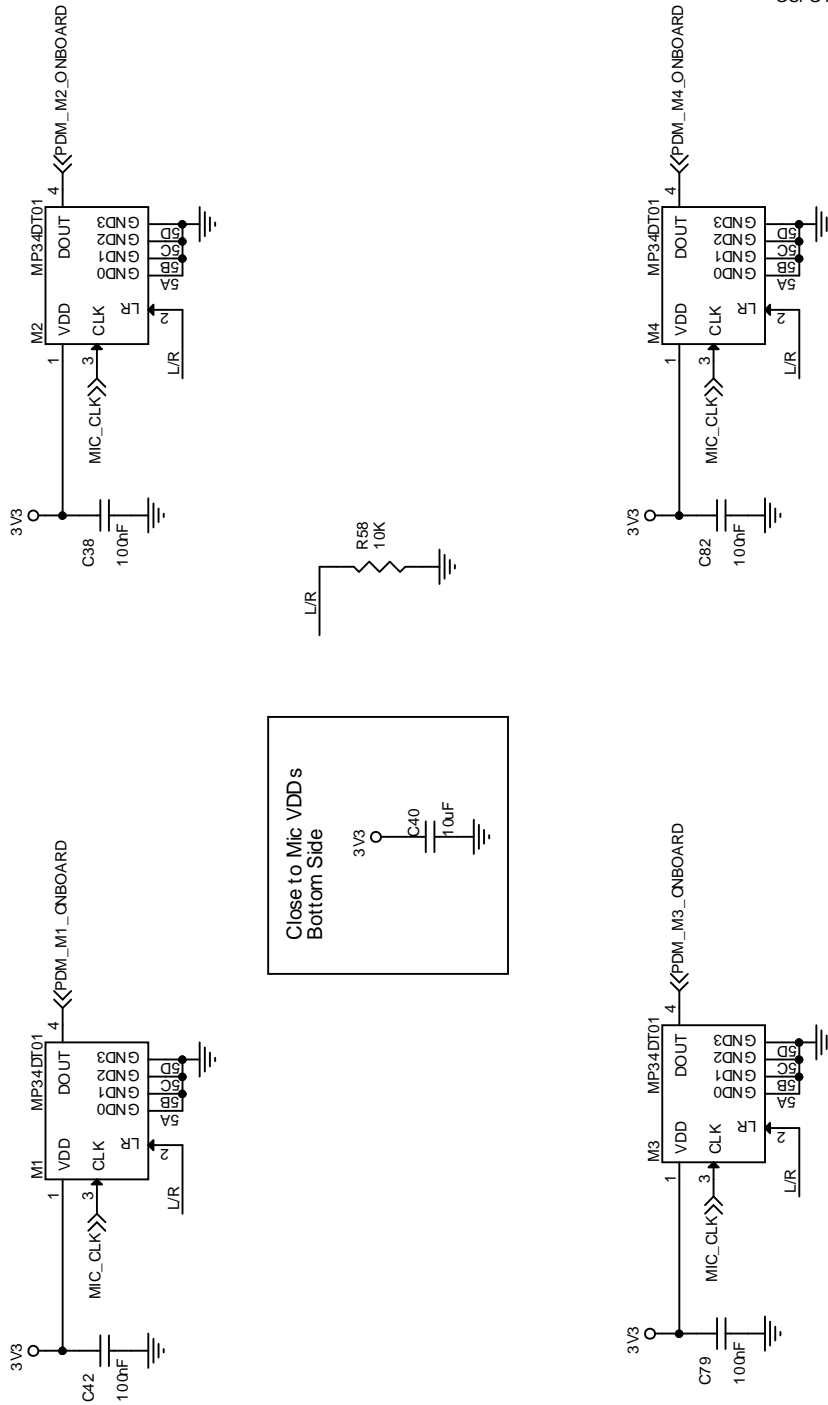


Figure 5: STEVAL-IDI001V1 board schematic part 5

GSPG16112015DI1515

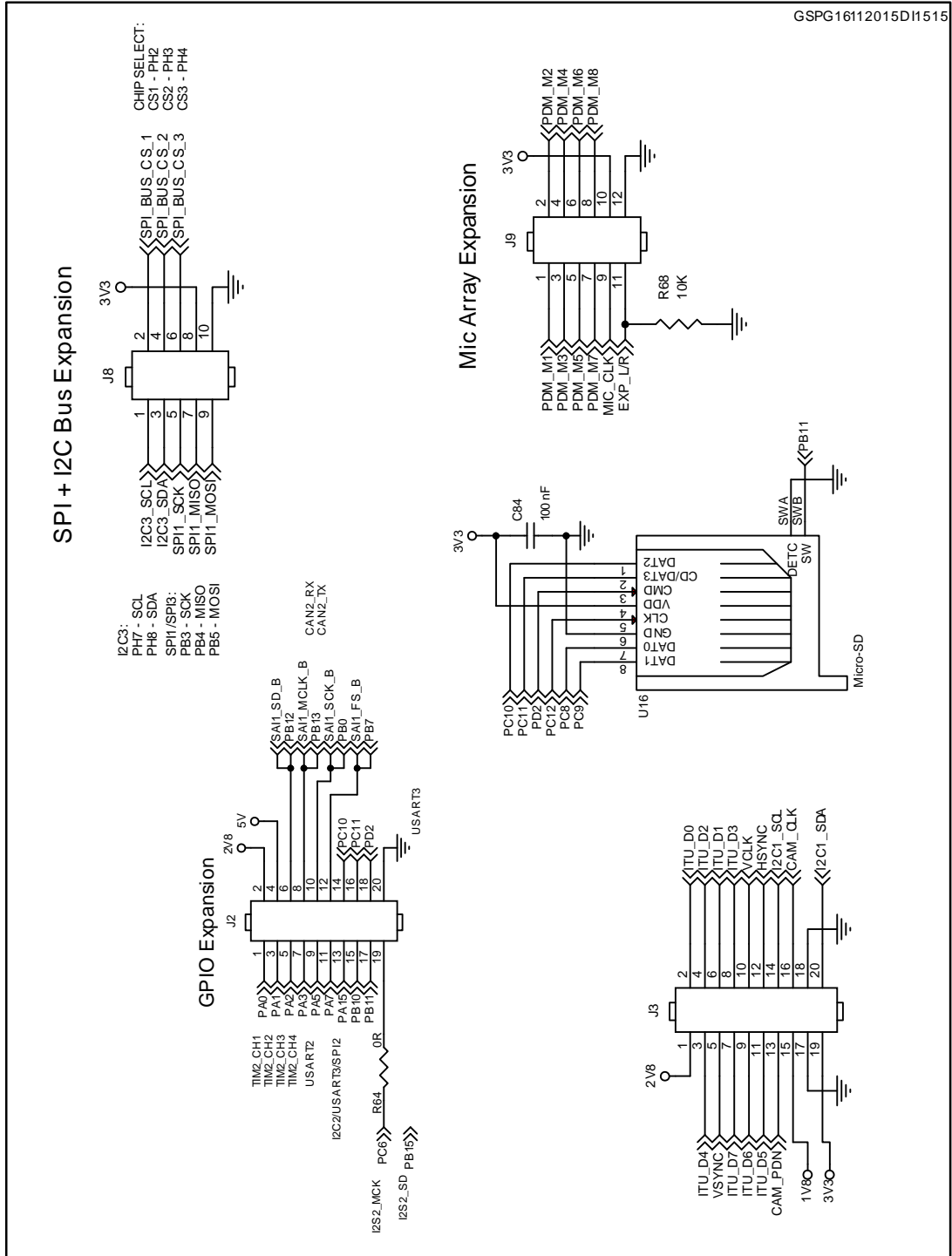


Figure 6: STEVAL-IDI001V1 board schematic part 6

GSPG16112015DI1520

