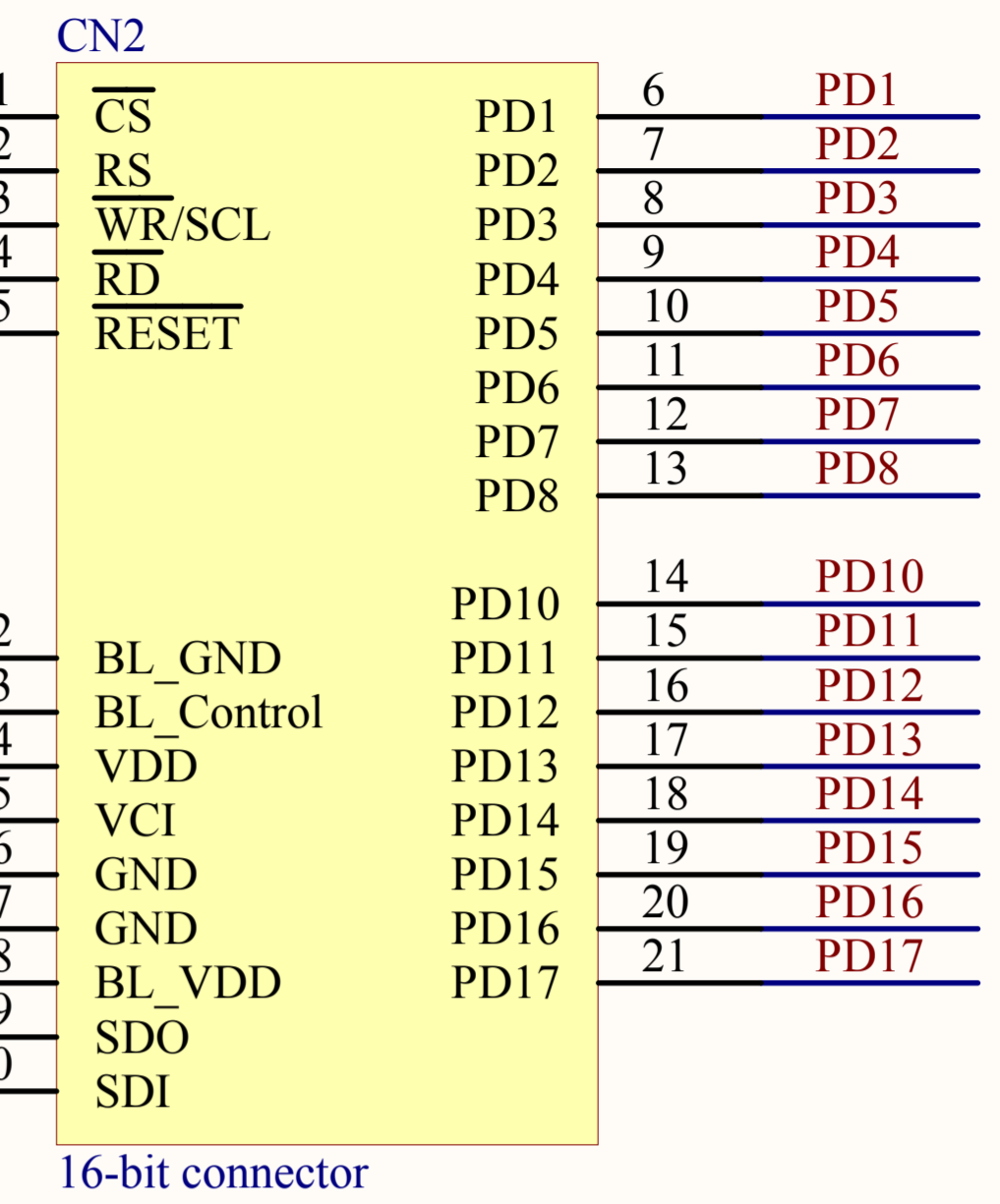
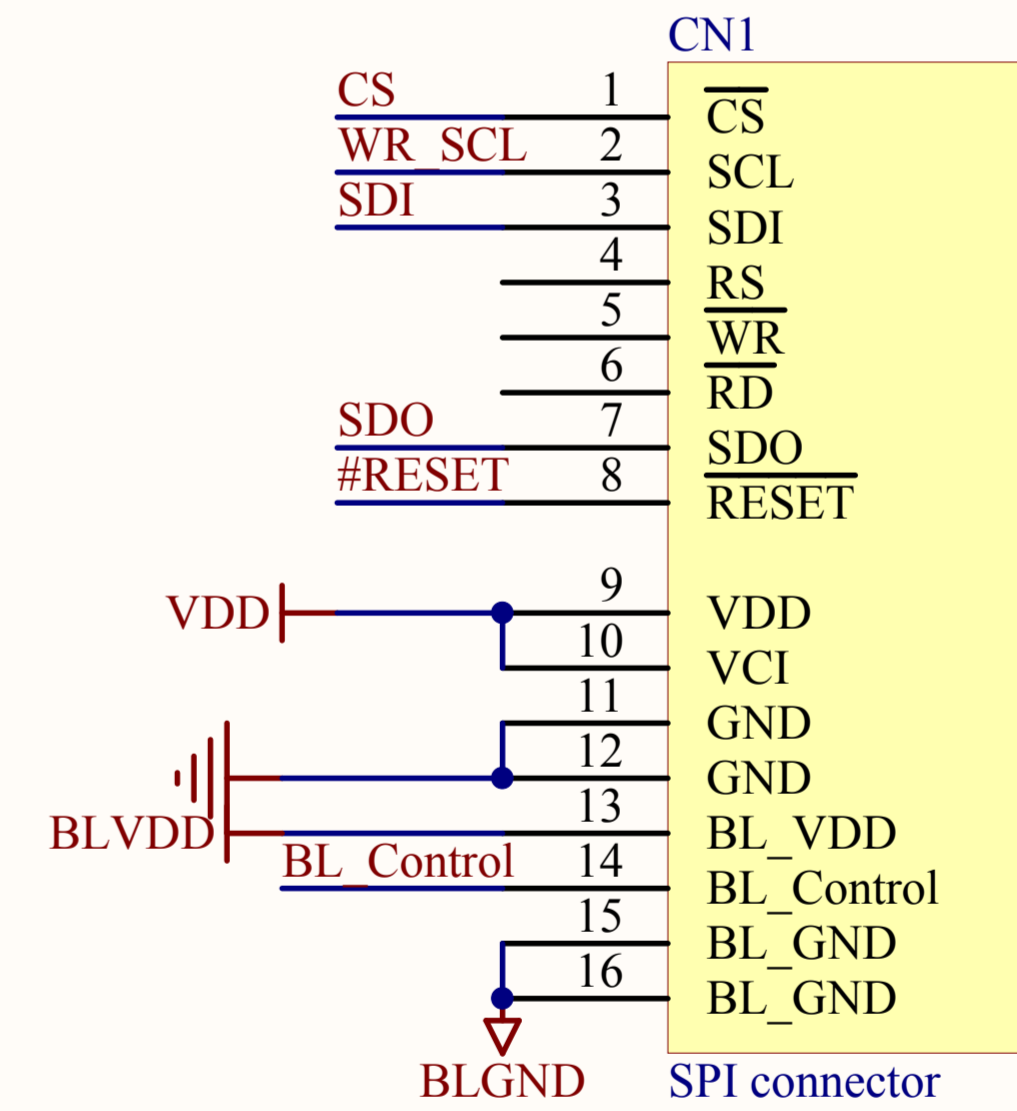


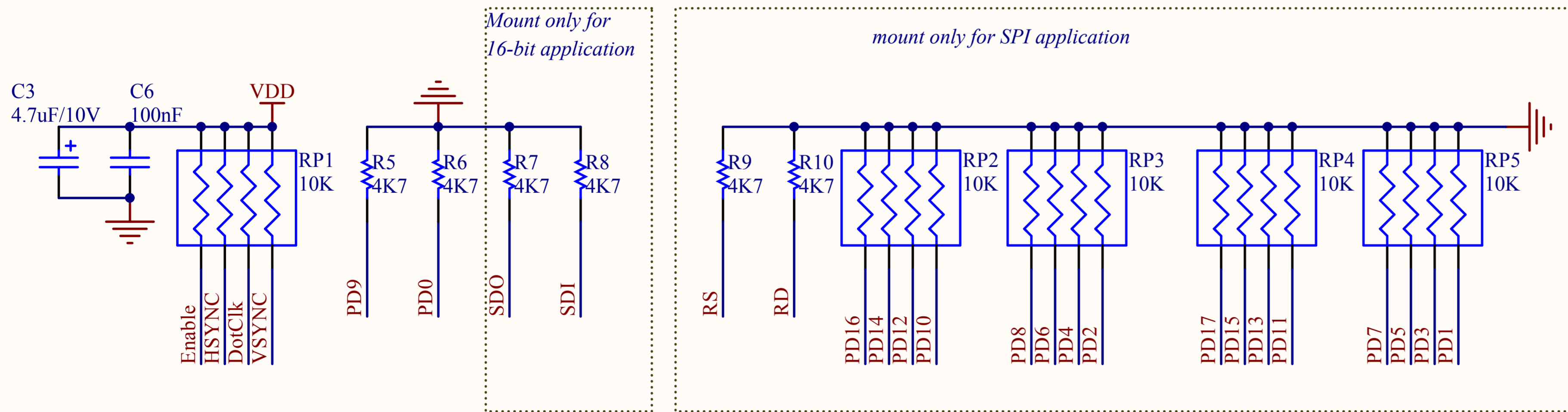
Backlight driver & PFC connector for LCD panel



Connector for 16-bit parallel application



Connector for SPI serial application



STMicroelectronics

Title: 2.4 inch LCD board support either SPI or 16-bit parallel