


LIV Evaluation Board

Schematics

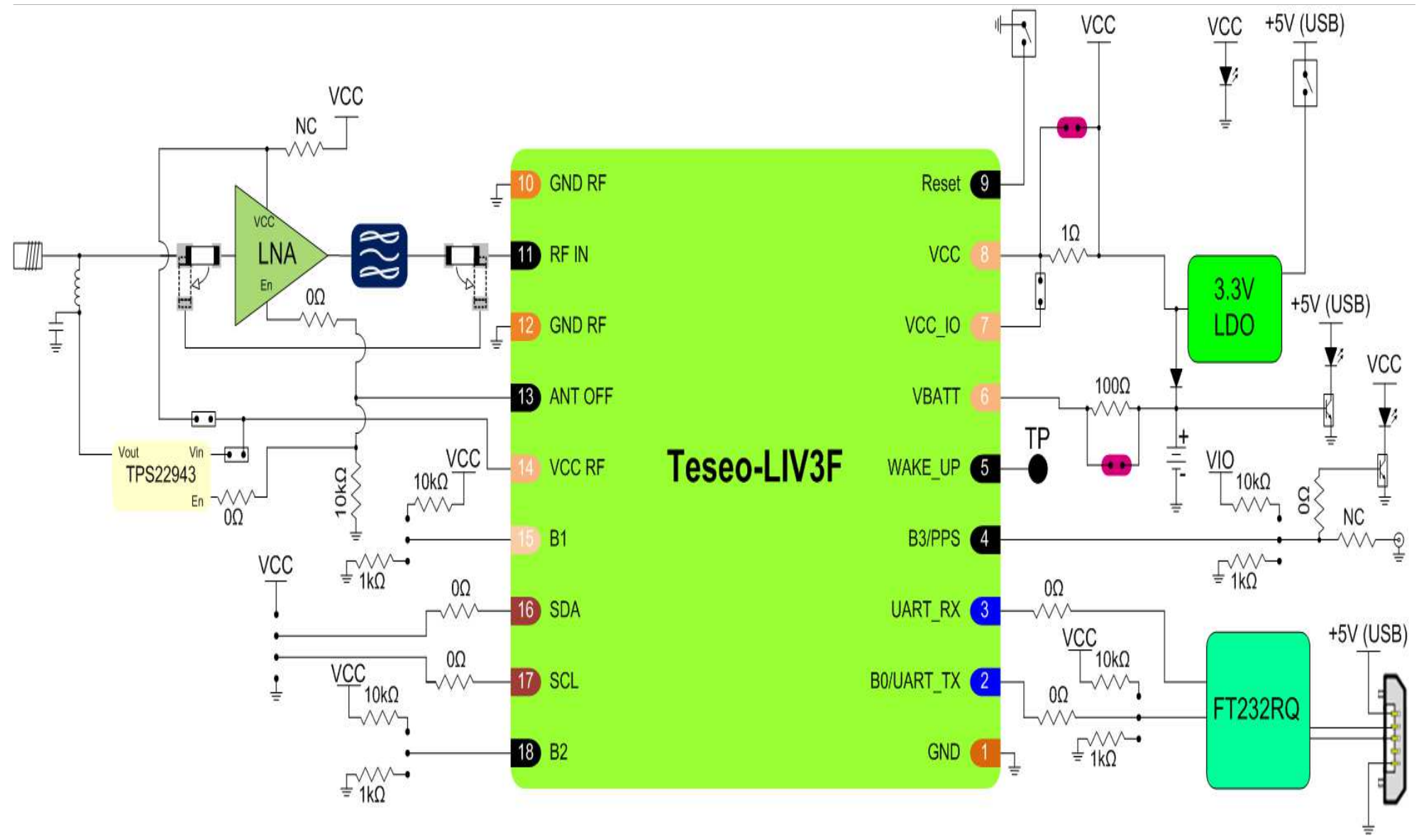
SHEET NAME

PAGE 01 : Cover	REF DES: 0100 - 0199
PAGE 02 : Bloc diagram	REF DES: 0200 - 0299
PAGE 03 : LIV	REF DES: 0300 - 0399
PAGE 04 : Front end	REF DES: 0400 - 0499
PAGE 05 : Power & Miscelaneous	REF DES: 0500 - 0599

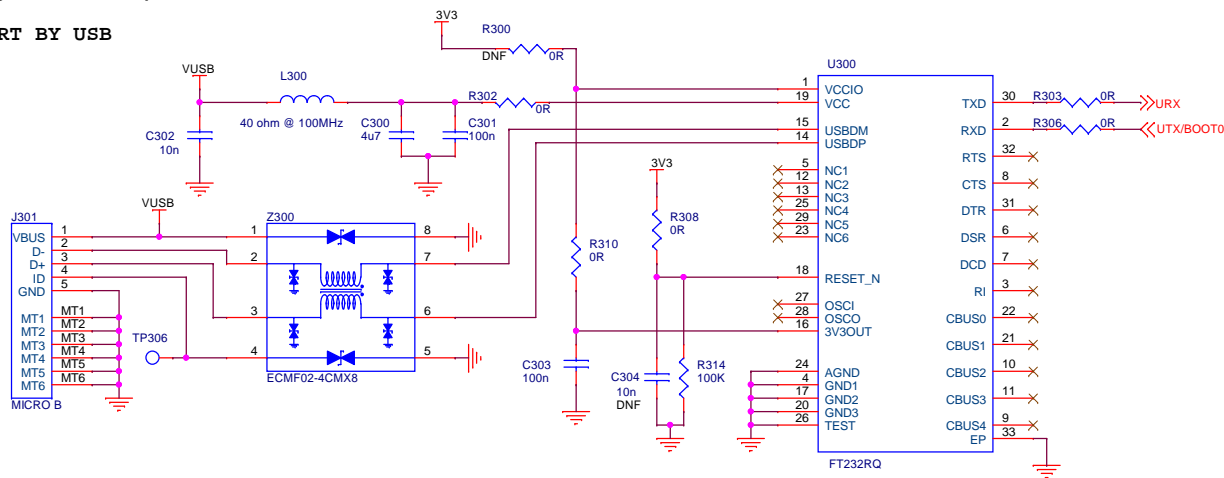
THE INFORMATION CONTAINED IN THESE SCHEMATIC SHEETS IS PRELIMINARY AND SUBJECT TO CHANGE WITHOUT NOTICE.
 STMicroelectronics BEARS NO RESPONSABILITY FOR ANY ERRORS IN THESE SCHEMATIC SHEETS.

	Board Title LIV EVB EVALUATION BOARD REVA0		PROPRIETARY INFORMATION	
	Sheet Title PAGE 01: Cover			
	Doc No (435/xxxxxx)	Date Monday, January 14, 2019	Rev (xx)	Sheet 1 / 6

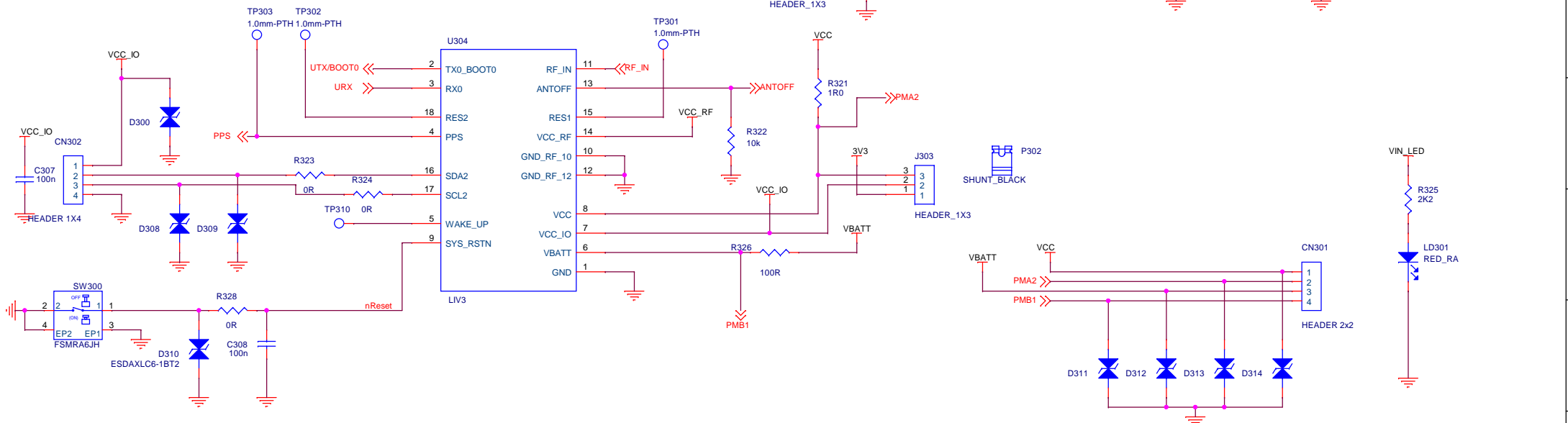
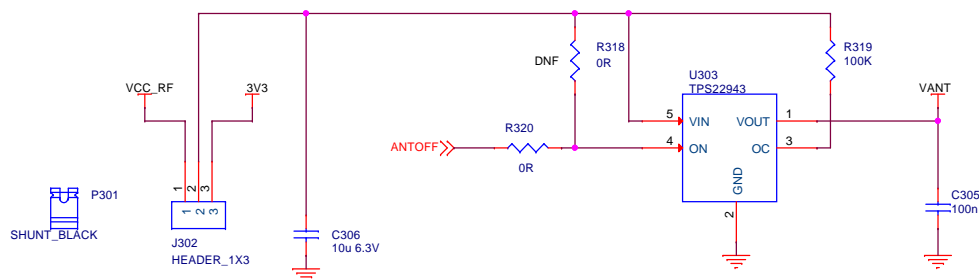
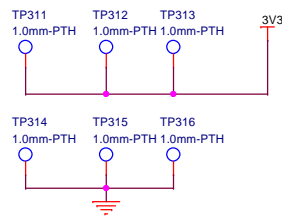
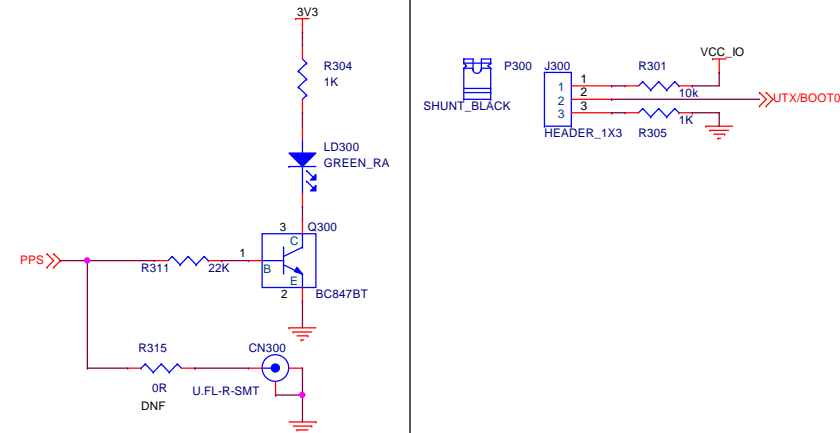
Bloc diagram

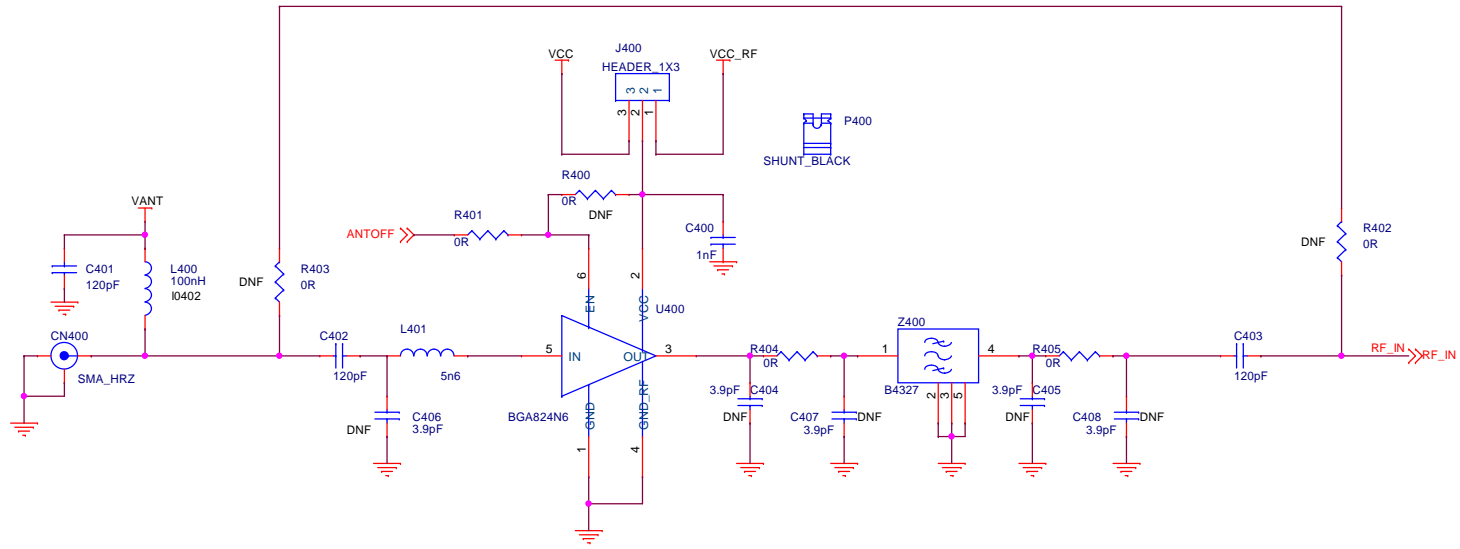


UART BY USB

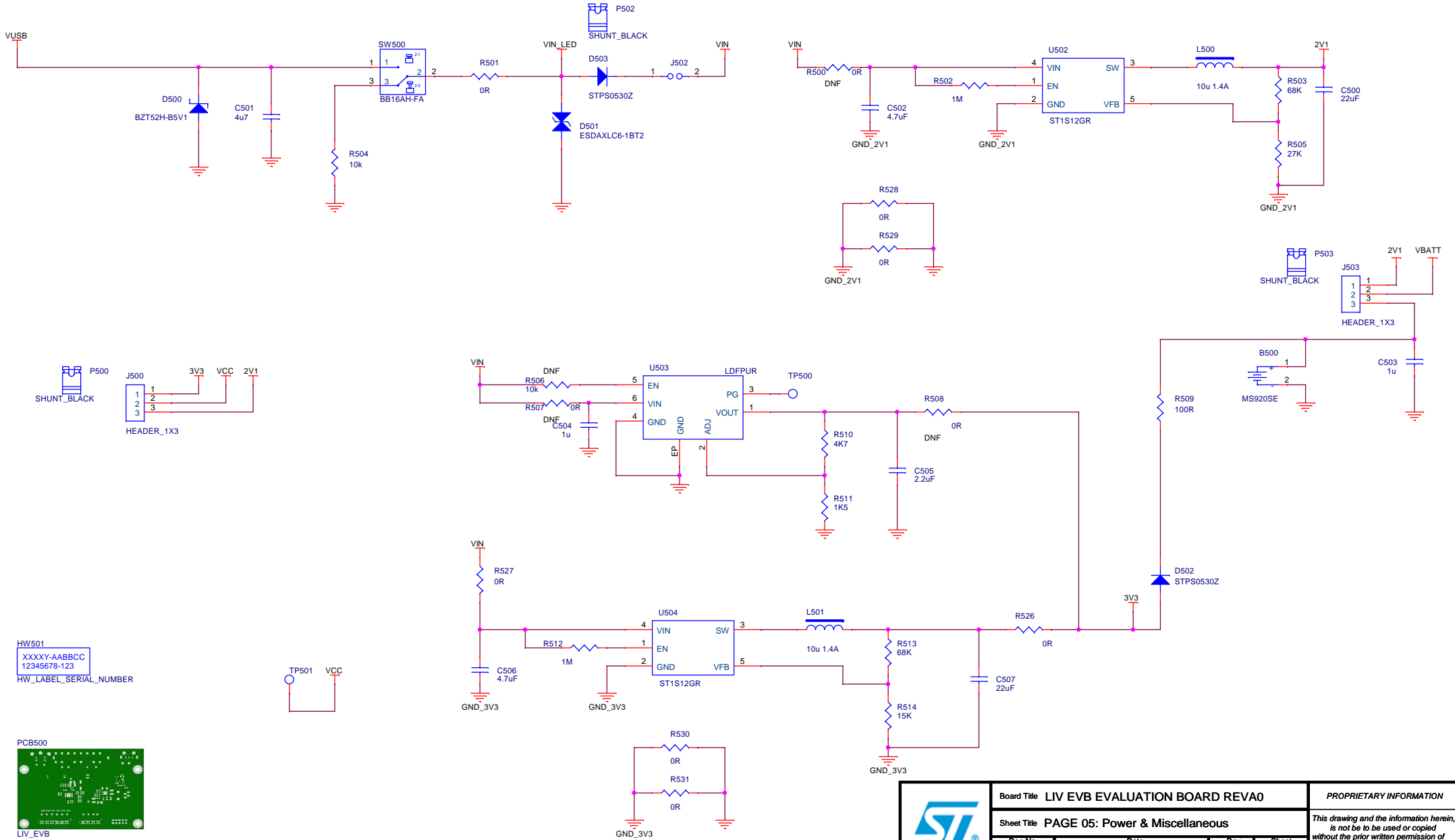


PPS

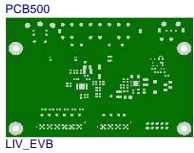





POWER



HW501
 XXXXY-AABBCC
 12345678-123
 HW_LABEL_SERIAL_NUMBER



		Board Title LIV EVB EVALUATION BOARD REVA0		PROPRIETARY INFORMATION	
		Sheet Title PAGE 05: Power & Miscellaneous		<i>This drawing and the information herein, is not to be used or copied without the prior written permission of STMicroelectronics.</i>	
Doc No (435/xxxxxx)	Date Monday, January 14, 2019	Rev (xx)	Sheet 5 / 6		